



FIRE RESISTANT SAFE

For Home and Commercial use

- Design and specifications are subject to change without notice.
- Not responsible for typographical errors.
- Reproduction in whole or in part without written permission is prohibited.

FIRE RESISTANT SAFE

CONTENTS



Japanese industrial standards 3

Home safes

Standard safes

Digital lock 4

Combination lock 5

Stylish design safes

GUARD MASTER 6

D-FACE 6

MEISTER 7

Commercial safes

CSG series 8

CS series 10

Deposit safes 11

Filing cabinets 11

700 / 2D series 12

Hotel safe 14

Storage locker 15

Mark list

Passed JIS 2 hours fire resistant test	Passed JIS 1 hour fire resistant test	Passed JIS 30 minutes fire resistant test	Passed UL 1 hour fire resistant test	Passed TS-15 Tool-proof test
Combination lock	Digital lock	Fingerprint lock	i-Button key	Cylinder key lock
Built-in cylinder key lock	ReZERO lock	A4 paper	B5 paper	A4 file

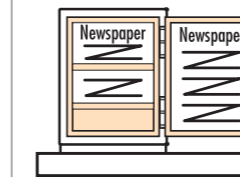
JIS Japanese Industrial Standards

Fire resistant test

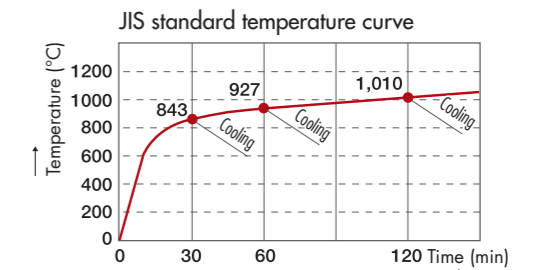
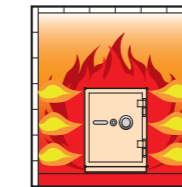
All fire resistant safes have passed the rigid Japanese Industrial Standards (JIS) for one / two hour under the fire resistant safe inspection provisions No.JIS-S-1037.

Test method

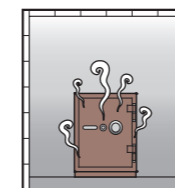
1 Newspaper and crumpled newspaper balls are placed inside the safe.



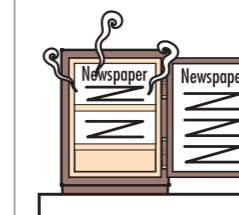
2 The safe is put into the furnace and the temperature is heated according to JIS standard temperature curve as shown in the graph and internal temperature is measured.



3 The heating is stopped at specified time of each model and the safe is cooled naturally in the furnace.



4 The condition of newspaper inside the safe is checked.



Test specimen after heating



The locking parts on the door have been melted by heating but the safe door is locked firmly.

Judgment

- The internal temperature does not exceed 177°C during heating and cooling.
- The newspaper are legible without appreciable discoloration or deterioration.

Tool-proof test (TS-15)

It is assumed that most of burglary shall attempt to force open a safe in a short time. The test is carried out to force open the door by specific tools such as a crowbar, a metal cutting saw, etc. for 15 minutes.

Test method

- The drawing shown the safe body, the structure and the position of locking bolts are presented in advance and testing team considers the weak points.
- 2 kinds of tool attack test are carried out.
Test A : Break the locking parts.
Test B : Force the door open and break the locking bolts.
- 2 testing persons attack the test specimen by specific tools for the specified time.



Judgment

The safe door does not open and the time of attack test has been 15 minutes.



Complete assortment of sizes and uses for home and office.

- Passed JIS 30 minutes fire resistant test
- Passed JIS 1 hour fire resistant test
- Passed UL 1 hour fire resistant test

Digital lock

Personal code of 2 ~ 8 digits can be registered.



Combination lock

One of the most reliable security locking systems.



Digital lock + Cylinder key lock



BES-2PK



BES-9PK



BSS-PK



BES-25PK



BSD-PKX

Model	Outside (mm, inch)			Inside (mm, inch)			Weight (kgs, lbs)	Capacity (L)	Accessories	Fire Rating
	W	D	H	W	D	H				
BES-2PK	410	364	213	330	240	105	20	8	1 tray	30min
	16.1	14.3	8.3	12.9	9.4	4.1	44			
BES-9PK	416	352	364	356	220	276	27	21.6	1 shelf	30min
	16.3	13.8	14.3	14.0	8.6	10.8	59			
BSS-PK	484	429	372	354	257	214	56	19.5	1 tray	1h
	19.0	16.8	14.6	13.9	10.1	8.4	123			
BES-25PK	438	469	496	320	310	350	55	34.7	1 shelf	1h
	17.2	18.4	19.5	12.5	12.2	13.7	121			
BSD-PKX	463	519	669	325	336	470	103	51	1 shelf / 1 drawer	1h
	18.2	20.4	26.3	12.7	13.2	18.5	227			

Combination lock + Cylinder key lock



BES-9



BES-8



BSS



BES-25



BSST



BSD-X

Optional tray

4 trays for model BSS and BSS-PK



7 trays for model BSD-X and BSD-PKX



Model	Outside (mm, inch)			Inside (mm, inch)			Weight (kgs, lbs)	Capacity (L)	Accessories	Fire Rating
	W	D	H	W	D	H				
BES-9	416	357	364	356	220	276	27	21.6	1 shelf	30min
	16.3	14.0	14.3	14.0	8.6	10.8	59			
BES-8	336	357	444	276	220	356	27	21.6	1 shelf	30min
	13.2	14.0	17.4	10.8	8.6	14.0	59			
BSS	484	434	372	354	257	214	56	19.5	1 tray	1h
	19.0	17.0	14.6	13.9	10.1	8.4	123			
BES-25	438	474	496	320	310	350	55	34.7	1 shelf	1h
	17.2	18.6	19.5	12.5	12.2	13.7	121			
BSST	344	434	512	214	257	354	56	19.5	1 tray	1h
	13.5	17.0	20.1	8.4	10.1	13.9	123			
BSD-X	463	526	669	325	336	470	103	51	1 shelf / 1 drawer	1h
	18.2	20.7	26.3	12.7	13.2	18.5	227			

GUARD MASTER Passed JIS 1 hour fire resistant test

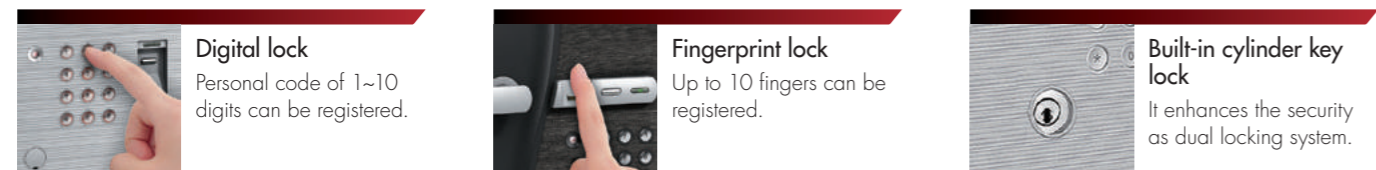
Incorporated fingerprint and digital lock system with unique design handle.



Model	Outside (mm, inch)			Inside (mm, inch)			Weight (kgs, lbs)	Capacity (L)	Accessories	Fire Rating
	W	D	H	W	D	H				
OSS-FE	484	487	372	354	258	214	60	19.5	1 tray	1h
	19.0	19.1	14.6	13.9	10.1	8.4				
ONS-FE	330	511	603	240	321	485	67	37	2 trays	1h
	12.9	20.1	23.7	9.4	12.6	19.0				
OSD-FE	457	565	663	327	336	472	110	51.5	1 shelf / 1 drawer	1h
	17.9	22.2	26.1	12.8	13.2	18.5				

D-FACE Passed JIS 1 hour fire resistant test

A totally new safe having sophisticated design unlike conventional safes.



Model	Outside (mm, inch)	Inside (mm, inch)			Weight (kgs, lbs)	Capacity (L)	Accessories	Fire Rating		
		W	D	H						
DFS1-E	484	467	372	354	257	214	58	19.5	1 tray	1h
	19.0	18.3	14.6	13.9	10.1	8.4				
DFS2-E	484	460.5	372	354	257	214	58	19.5	1 tray	1h
	19.0	18.1	14.6	13.9	10.1	8.4				

MEISTER Passed JIS 1 hour fire resistant test

Attractive design front panel and concealed hinges make a stylish atmosphere at home or in the office.



Combination lock
One of the most reliable security locking systems.

Digital lock
Personal code of 1~10 digits can be registered.

Fingerprint lock
Up to 10 fingers can be registered.

Built-in cylinder key lock
It enhances the security as dual locking system.

Model	Outside (mm, inch)	Inside (mm, inch)			Weight (kgs, lbs)	Capacity (L)	Accessories	Fire Rating		
		W	D	H						
OSS-D	484	489	372	354	258	214	60	19.5	1 tray	1h
	19.0	19.2	14.6	13.9	10.1	8.4				
ONS-D	330	513	603	240	321	485	67	37	2 trays	1h
	12.9	20.1	23.7	9.4	12.6	19.0				
OSD-D	457	567	663	327	336	472	110	51.5	1 shelf / 1 drawer	1h
	17.9	22.3	26.1	12.8	13.2	18.5				

Special safes to protect important documents and valuable items against burglary and fire.



- Passed JIS 2 hours fire resistant test
- Passed TS-15 Tool-proof test



CSG-91E

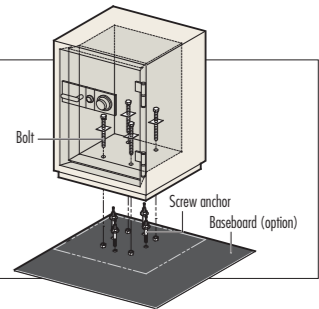
Option

The casters are available for all models.



Fixing on the floor

CSG model has anchor bolt holes as a standard feature and can fix on the floor or baseboard.



Combination lock

One of the most reliable security locking systems.



Multi lock

Digital lock, fingerprint lock or i-button key is available. You can select your favorite locking system.



Digital lock

Personal code of 1~10 digits can be registered.



Digital lock
Up to 10 personal codes can be registered.



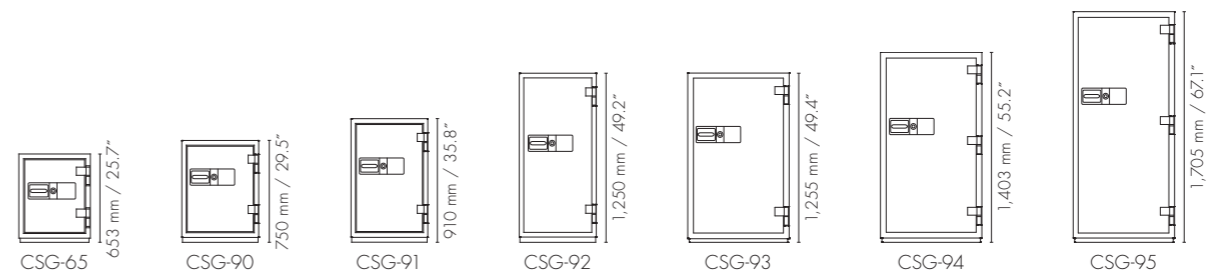
Fingerprint lock
Up to 10 fingers can be registered.



i-Button key
Up to 10 i-button keys can be registered.



Model			Outside (mm, inch)			Inside (mm, inch)			Weight (kgs, lbs)	Capacity (L)	Accessories	Fire Rating
Combination lock	Digital lock	Multi lock	W	D	H	W	D	H				
CSG-65	CSG-65E		530	595	653	370	320	463	140	55	1 shelf / 1 drawer	2h / TS-15
			20.8	23.4	25.7	14.5	12.5	18.2	308			
CSG-90	CSG-90E	CSG-90YET	610	630	750	450	355	560	195	90	1 shelf / 1 drawer	2h / TS-15
			24.0	24.8	29.5	17.7	13.9	22.0	429			
CSG-91	CSG-91E	CSG-91YET	610	630	910	450	355	720	241	115	1 shelf / 1 drawer	2h / TS-15
			24.0	24.8	35.8	17.7	13.9	28.3	531			
CSG-92	CSG-92E	CSG-92YET	610	630	1,250	450	355	1,060	314	170	2 shelves / 1 drawer	2h / TS-15
			24.0	24.8	49.2	17.7	13.9	41.7	692			
CSG-93	CSG-93E		750	707	1,255	574	443	1,049	368	266	3 shelves / 1 drawer	2h / TS-15
			29.5	27.8	49.4	22.5	17.4	41.2	811			
CSG-94	CSG-94E		750	707	1,403	574	443	1,197	399	304	3 shelves / 1 drawer	2h / TS-15
			29.5	27.8	55.2	22.5	17.4	47.1	879			
CSG-95	CSG-95E		750	707	1,705	574	443	1,499	473	381	4 shelves / 1 drawer	2h / TS-15
			29.5	27.8	67.1	22.5	17.4	59.0	1,042			



CS series

Suitable for storing important documents and the elegant design well matched to modern office.



Passed JIS 2 hours fire resistant test

Combination lock + Cylinder key lock

Digital lock + Cylinder key lock



Model		Outside (mm, inch)			Inside (mm, inch)			Weight (kgs, lbs)	Capacity (L)	Accessories	Fire Rating
Combination lock	Digital lock	W	D	H	W	D	H				
CS-90	CS-90E	610	630	796	450	355	560	185	90	1 shelf / 1 drawer	2h
		24.0	24.8	31.3	17.7	13.9	22.0	407			
CS-91	CS-91E	610	630	956	450	355	720	230	115	1 shelf / 1 drawer	2h
		24.0	24.8	37.6	17.7	13.9	28.3	507			
CS-92	CS-92E	610	630	1,296	450	355	1,060	300	170	2 shelves / 1 drawer	2h
		24.0	24.8	51.0	17.7	13.9	41.7	661			

Deposit safes / Filing cabinets

Deposit safes

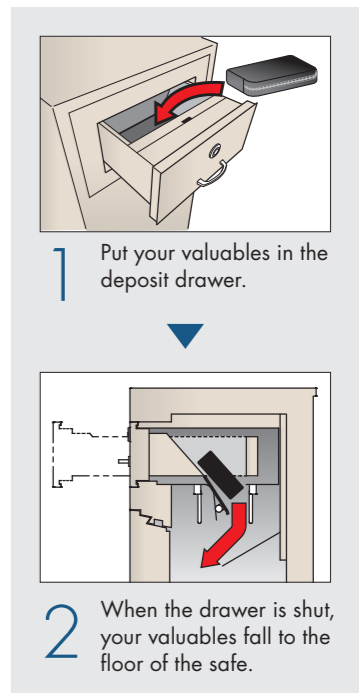
Passed JIS 1 hour fire resistant test

Passed TS-15 Tool-proof test (PSG-100 / 125 only)

Recommended for restaurant, supermarket, convenience store and other stores.

Combination lock + Cylinder key lock

Digital lock + Cylinder key lock



Model		Outside (mm, inch)			Inside (mm, inch)			Weight (kgs, lbs)	Capacity (L)	Deposit chute size			Fire Rating
Combination lock	Digital lock	W	D	H	W	D	H			W	D	H	
PS-20	PS-20E	344	434 / 430	783	214	256	354	80	19.5	180	90	100	1h
		13.5	170 / 16.9	30.8	8.4	10.0	13.9	176					
PS-50	PS-50E	463	526 / 519	905	325	336	423	130	46	264	100	100	1h
		18.2	20.7 / 20.4	35.6	12.7	13.2	16.6	286					
PSG-100	PSG-100E	610	630	1,090	450	355	407	330	65	320	130	118	1h / TS-15
		24.0	24.8	42.9	17.7	13.9	16.0	727					
PSG-125	PSG-125E	610	630	1,250	450	355	567	395	90.5	320	130	118	1h / TS-15
		24.0	24.8	49.2	17.7	13.9	22.3	870					

Blue figure shows dimension for Digital lock safes.

Filing cabinets

Passed JIS 1 hour fire resistant test

Furnished with a plunger key lock to control all drawers and a combination lock on top drawer, and a cylinder key lock on other drawers as a standard feature.



Model	Outside (mm, inch)			Internal drawer (mm, inch)			Weight (kgs, lbs)	Fire Rating
	W	D	H	W	D	H		
TB4C-2D	515	755	822	389	669	300	180	1h
	20.2	29.7	32.3	15.3	26.3	11.8	396	
TB4C-3D	515	755	1,184	389	669	300	265	1h
	20.2	29.7	46.6	15.3	26.3	11.8	584	
TB4C-4D	515	755	1,546	389	669	300	350	1h
	20.2	29.7	60.8	15.3	26.3	11.8	771	

Note : 1 pc of partition plate is attached to each drawer.

A variety of locking systems are available. Suitable for storing important documents and valuable items at home or in the office.



Passed JIS 1 hour fire resistant test



701DKG

2D-203EKG

Combination lock

One of the most reliable security locking systems.



Multi lock

Digital lock, fingerprint lock or i-button key is available. You can select your favorite locking system.



Digital lock

Personal code of 2~8 digits can be registered.



Digital lock
Up to 10 personal codes can be registered.



Fingerprint lock
Up to 10 fingers can be registered.



i-Button key
Up to 10 i-button keys can be registered.

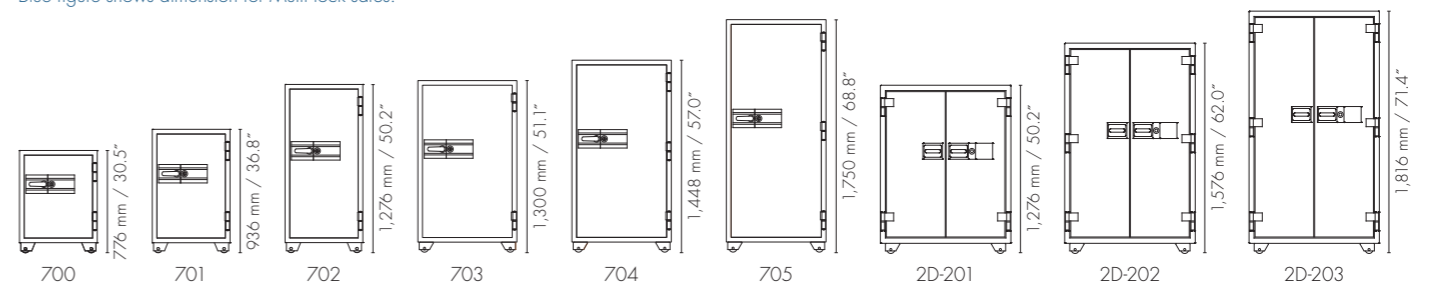
2 Key locks

Simple locking system and easy to use for everyone.




Combination lock	Model			Outside (mm, inch)			Inside (mm, inch)			Weight (kgs, lbs)	Capacity (L)	Accessories	Fire Rating
	Digital lock	2 Key locks	Multi lock	W	D	H	W	D	H				
700DKG	700EKG	700CKG	700YET	590	601 / 608	776	450	355	560	155	89	1 shelf / 1 drawer	1h
				23.2	23.6 / 23.9	30.5	17.7	13.9	22.0	341			
701DKG	701EKG	701CKG	701YET	590	601 / 608	936	450	355	720	190	115	1 shelf / 1 drawer	1h
				23.2	23.6 / 23.9	36.8	17.7	13.9	28.3	418			
702DKG	702EKG	702CKG	702YET	590	601 / 608	1,276	450	355	1,060	250	169	2 shelves / 1 drawer	1h
				23.2	23.6 / 23.9	50.2	17.7	13.9	41.7	551			
703DKG	703EKG	703CKG	703YET	750	706 / 713	1,300	610	460	1,084	350	304	3 shelves / 1 drawer	1h
				29.5	27.7 / 28.0	51.1	24.0	18.1	42.6	771			
704DKG	704EKG	704CKG	704YET	750	706 / 713	1,448	610	460	1,232	380	345	3 shelves / 1 drawer	1h
				29.5	27.7 / 28.0	57.0	24.0	18.1	48.5	837			
705DKG	705EKG	705CKG	705YET	750	706 / 713	1,750	610	460	1,534	460	430	4 shelves / 1 drawer	1h
				29.5	27.7 / 28.0	68.8	24.0	18.1	60.3	1,014			
2D-201DKG	2D-201EKG	2D-201CKG	2D-201YET	1,042	695 / 702	1,276	902	449	1,060	400	415	2 shelves / 2 drawers	1h
				41.0	27.3 / 27.6	50.2	35.5	17.6	41.7	881			
2D-202DKG	2D-202EKG	2D-202CKG	2D-202YET	1,042	695 / 702	1,576	902	449	1,360	550	533	3 shelves / 2 drawers	1h
				41.0	27.3 / 27.6	62.0	35.5	17.6	53.5	1,212			
2D-203DKG	2D-203EKG	2D-203CKG	2D-203YET	1,042	695 / 702	1,816	902	449	1,600	640	627	3 shelves / 2 drawers	1h
				41.0	27.3 / 27.6	71.4	35.5	17.6	62.9	1,410			

Blue figure shows dimension for Multi lock safes.



Hotel safe

HES-2MD

 Passed JIS 30 minutes fire resistant test

Designed to provide an easy operation by digital lock with LCD display and motor driven locking. The hotel owner can set a master code to manage the safes smoothly.

Digital lock with LCD display

The LCD display shows the passcode, open & close, the notice of battery replacement and the remaining time of security lockout. The guest can set a personal code of 1 ~ 8 digit for each locking.



Owner master code

Besides the factory master code, the hotel owner can set a master code. When the manager is changed, the master code can be reset. In an emergency, the safe can be unlocked by either one of the master codes. In case the locking system has any problem, the safe can be unlocked by the master key.

Motor driven locking

The locking bolt operates automatically by motor drive. You can open and close the door without key or handle.

Security lockout function

For security purpose, the lock will be frozen for 15 minutes when incorrect codes are entered 5 times.

Model	Outside (mm, inch)			Inside (mm, inch)			Weight (kgs, lbs)	Capacity (L)	Fire Rating
	W	D	H	W	D	H			
HES-2MD	410	368	213	330	230	105	20	8	30min
	16.1	14.4	8.3	12.9	9.0	4.1	44		

LK-408-1

 No fire resistance

Ideal storage box to protect personal items.

ReZERO Lock

4 digits combination number can be set by the dial lock and the numbers will return to Zero (0000) automatically when locking. The Returning Zero Lock prevents someone from glancing at your combination number. If you forgot your combination number, the door can be unlocked by an emergency key.

Note : No batteries required.



A notebook PC and a tablet PC can be stored (screen size should be smaller than 13 inch).



Model	Outside (mm, inch)			Inside (mm, inch)			Weight (kgs, lbs)
	W	D	H	W	D	H	
LK-408-1	375	421	218	300	357	158	8
	14.7	16.5	8.5	11.8	14.0	6.2	17

Storage locker

 No fire resistance

Ideal storage locker to protect personal items. Recommended using by your staff in the office, factory, school, hospital, restaurant, retail store, and other locations.



ReZERO Lock

To ensure the high security, the numbers return to Zero (0000) automatically when you lock the door.



LK-502



LK-504



LK-508

Model	Outside (mm, inch)			Inside (mm, inch)			Weight (kgs, lbs)
	W	D	H	W	D	H	
LK-502	556	342	170	220	280	110	5
	21.8	13.4	6.6	8.6	11.0	4.3	11
LK-504	556	342	315	220	280	122 (110)	8.4
	21.8	13.4	12.4	8.6	11.0	4.8 (4.3)	18
LK-508	556	342	605	220	280	122 (110)	15.4
	21.8	13.4	23.8	8.6	11.0	4.8 (4.3)	33



Small items such as mobile phone, wallet and tablet PC can be stored.

H (110) shows inside dimensions of the lower most doors.